

Commercial/Industrial Pipe Hangers & Supports

Beam Clamps



UNIVERSAL TOP BEAM CLAMP



UNIVERSAL WIDE THROAT TOP BEAM CLAMP



STEEL TOP BEAM CLAMP



STAINLESS STEEL TOP BEAM CLAMP



RETAINING STRAP



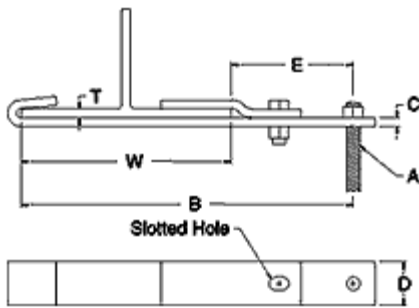
J-BAR



I-BEAM CLAMP



C-CLAMP



J-BAR CLAMP

Commercial/Industrial Pipe Hangers & Supports

Pipe Hangers



COPPER PIPE STRAP



ADJ SWIVEL BAND HGR



CLAMP FOR C.P.V.C. PLASTIC PIPE



HANGER FOR C.P.V.C. PLASTIC PIPE



HEAVY ADJ SWIVEL BAND HANGER



LIGHT CLEVIS HANGER



STANDARD CLEVIS HANGER



CLEVIS HANGER FOR INSULATED PIPE



CLEVIS HANGER FOR AWWA D.I. PIPE



STANDARD RISER CLAMP



SHORT TONGUE RISER CLAMP



2-BOLT PIPE CLAMP



2-BOLT PIPE CLAMP FOR SS TW PIPE



2-HOLE PLATED PIPE STRAP



UNDERGROUND BELL CLAMP FOR WATERWORKS



1-BOLT SPLIT CLAMP HANGER W/ ADJUSTER



HINGED MALLEABLE IRON SPLIT RING HANGER



HEAVY DUTY SHORT STRAP



3-BOLT PIPE CLAMP



3-BOLT PIPE CLAMP SIZED FOR SS TW PIPE



OFFSET PIPE CLAMP



ONE HOLE CLAMP



DOUBLE RISER CLAMP

SPECIAL DESIGN HEAVY DOUBLE RISER CLAMP